

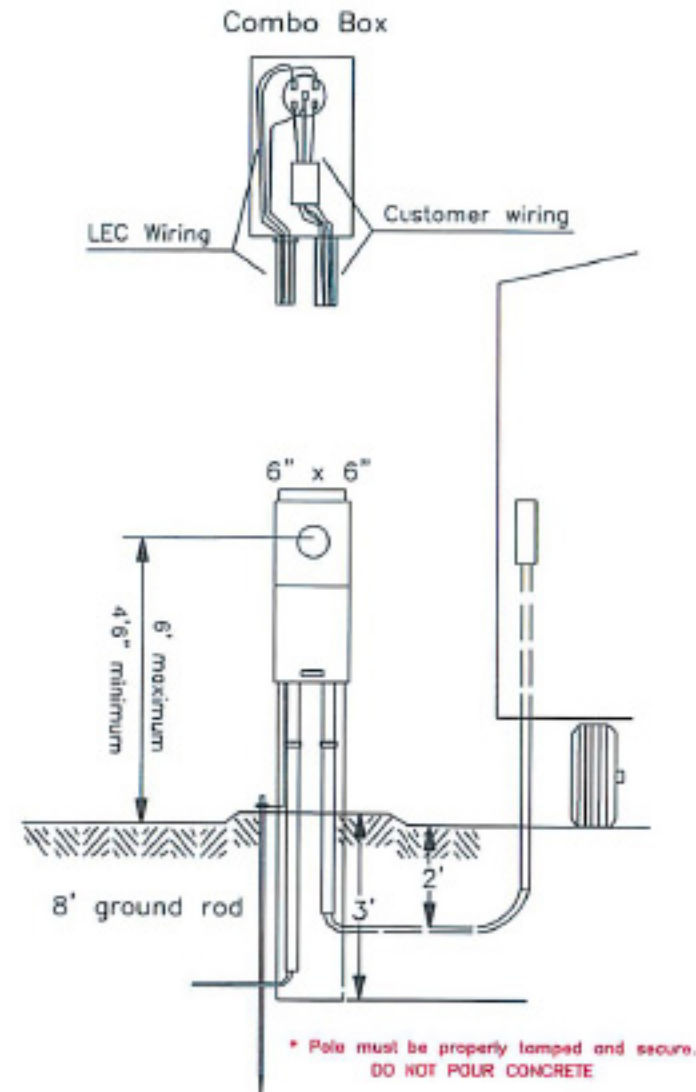
### TO BE FURNISHED AND INSTALLED BY CUSTOMER

1. U.L. approved underground meterbase of appropriate size.
2. Closure plate for meterbase.
3. Weatherproof enclosure for circuit breaker with cover.
4. 5/8" x 8' galvanized or copper coated ground rod with U.L. approved ground clamp.
5. Number 6 copper ground wire attached to meter base and ground rod.
6. Line side connectors for meter base.
7. 6" x 6" treated timber pole.
8. Customer's wire system (4 wire).
9. Address or lot number to be permanently marked on the inside and outside of the meter socket cover.

### NOTES:

1. Meter location must be spotted by LEC personel prior to installation.
2. Underground service to a mobile home will be determined on the basis of the spotted meter location and proximity to existing LEC facilities.
3. Service entrance minimum wire size as follows:  
100 AMP - 1/0 Aluminum or #2 Copper  
200 AMP - 4/0 Aluminum or 2/0 Copper
4. 6" x 6" timbers treated with less than 0.6 lbs./cu. ft. of preservative are not recommended for long term contact with the ground. The owner is responsible for the maintenance of these timbers.
5. Check local codes for all other applicable requirements

**\*\*NOTE: Two (2) Ground Rods Required spaced six (6) Feet Apart**



**Mobile Home Underground With Combo Box**

Revised:  
2-28-05

**LEC.** Laurens Electric  
Cooperative, Inc.